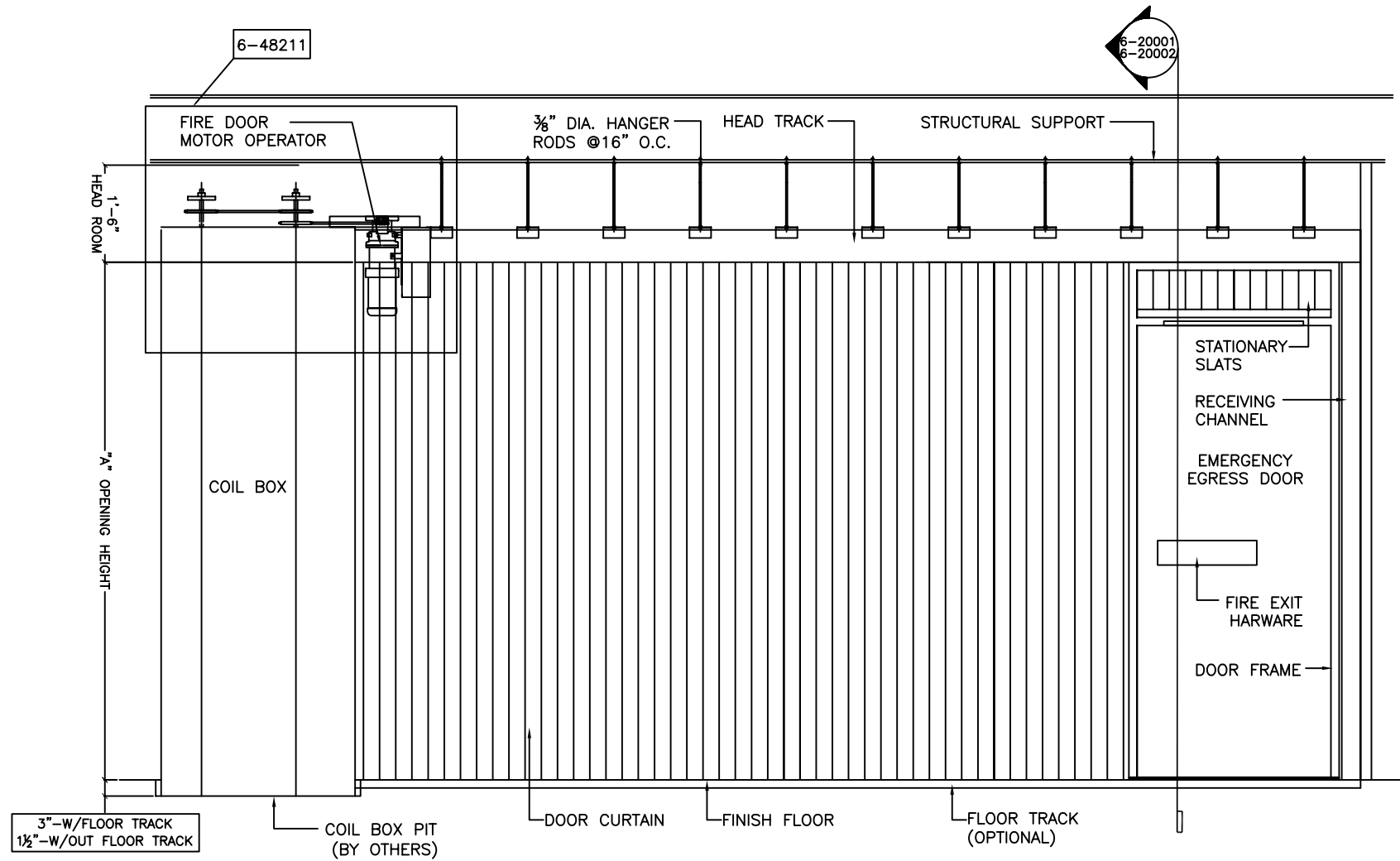




SAFESCAPE SIDE COILING FIRE DOOR MODEL S9000

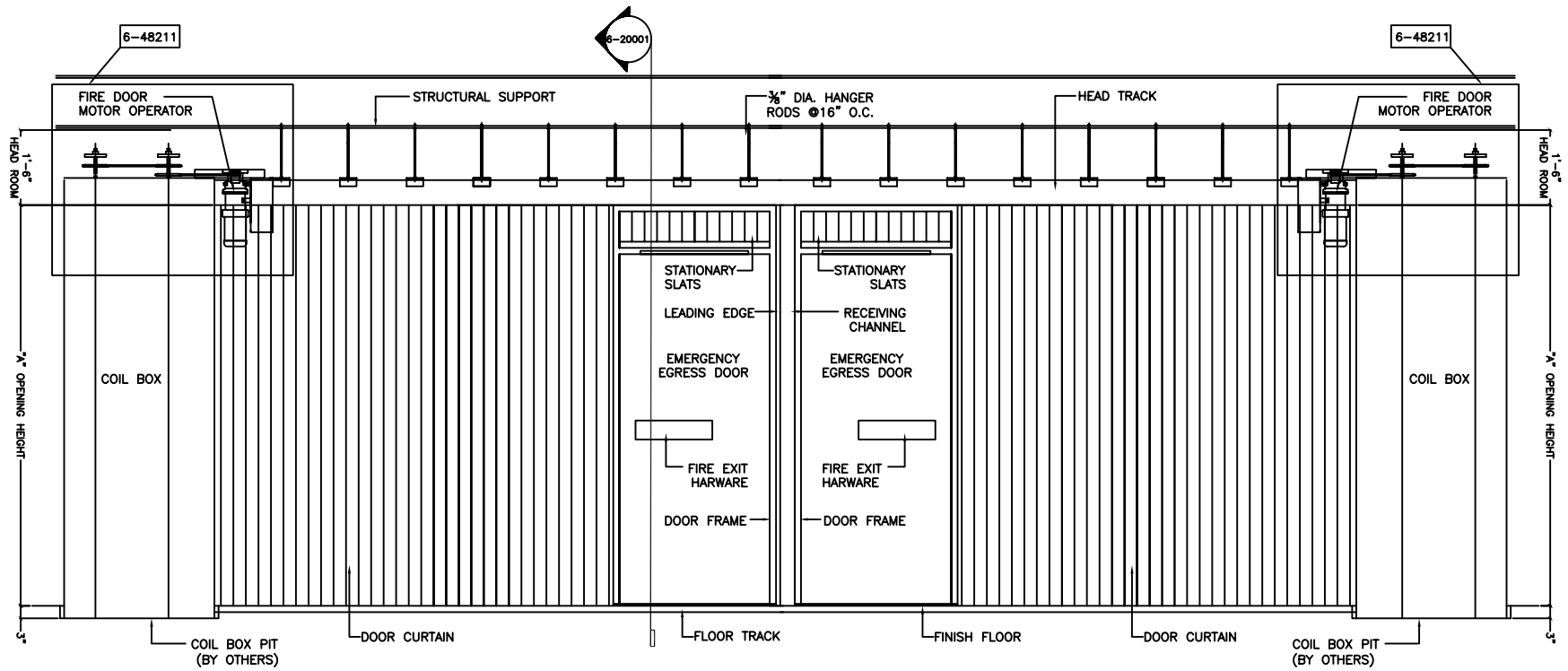
6-10111





BI-PARTING SAFESCAPE SIDE COILING FIRE DOOR MODEL S9000

6-10151

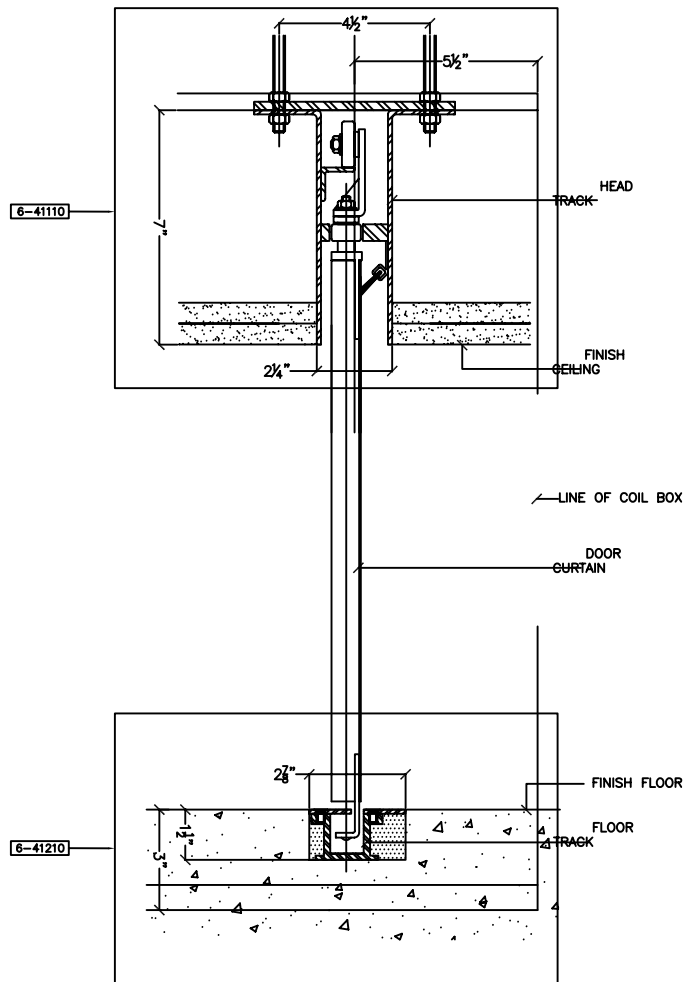




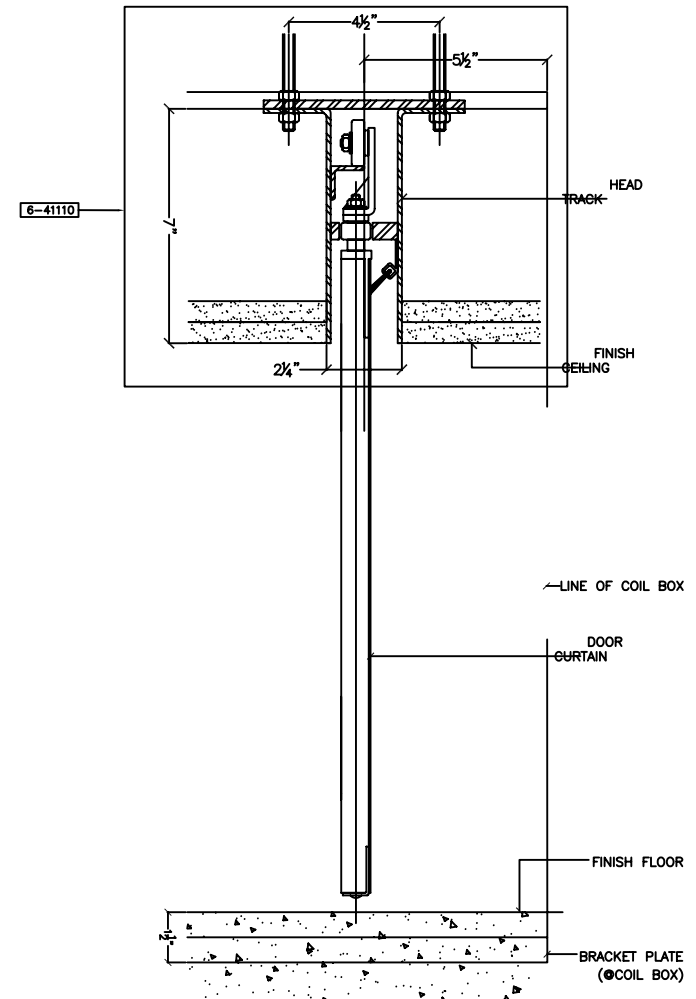
SAFESCAPE SIDE COILING FIRE DOOR MODELS S9000/S9500

6-20003

6-20004



SECTION WITH FLOOR TRACK

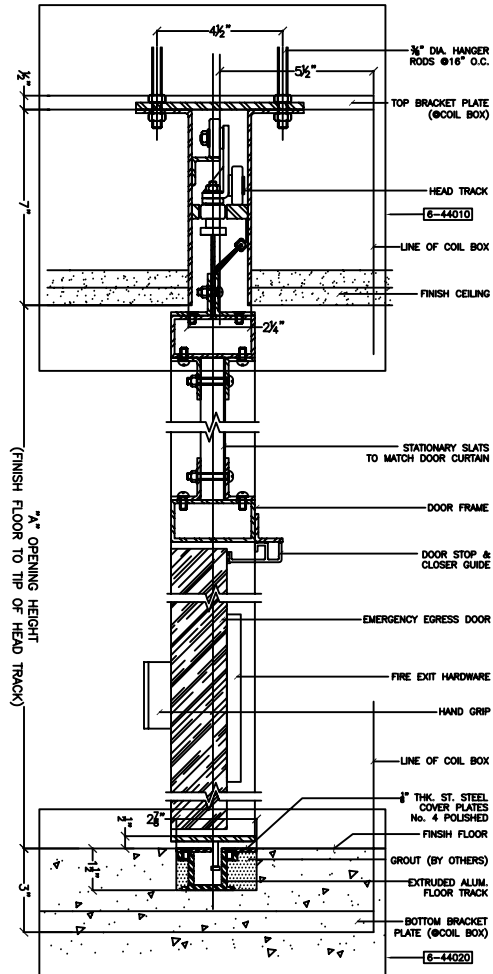


SECTION WITHOUT FLOOR TRACK



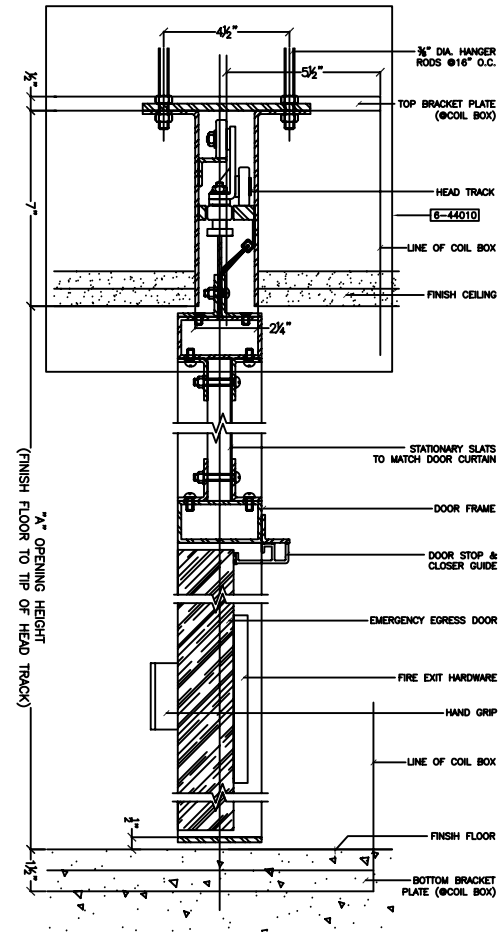
SAFESCAPE SIDE COILING FIRE DOOR MODELS S9000/S9500

6-20001



SECTION WITH FLOOR TRACK

6-20002

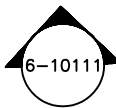
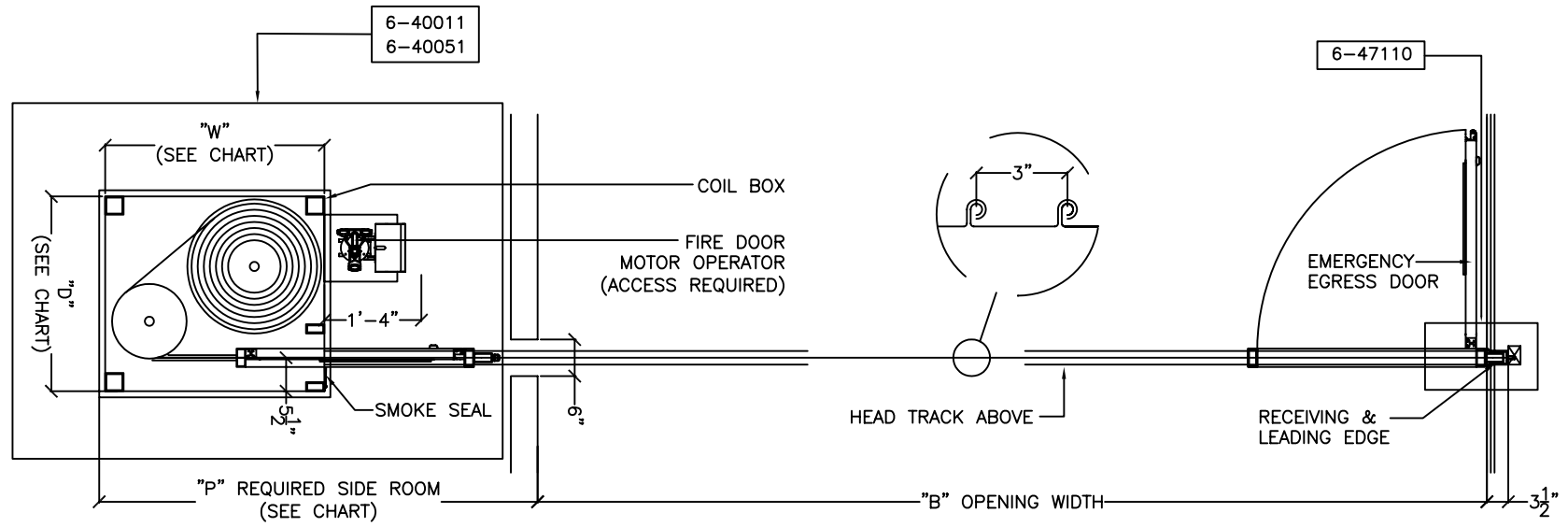


SECTION WITHOUT FLOOR TRACK



SAFESCAPE SIDE COILING FIRE DOOR MODEL S9000

6-30101

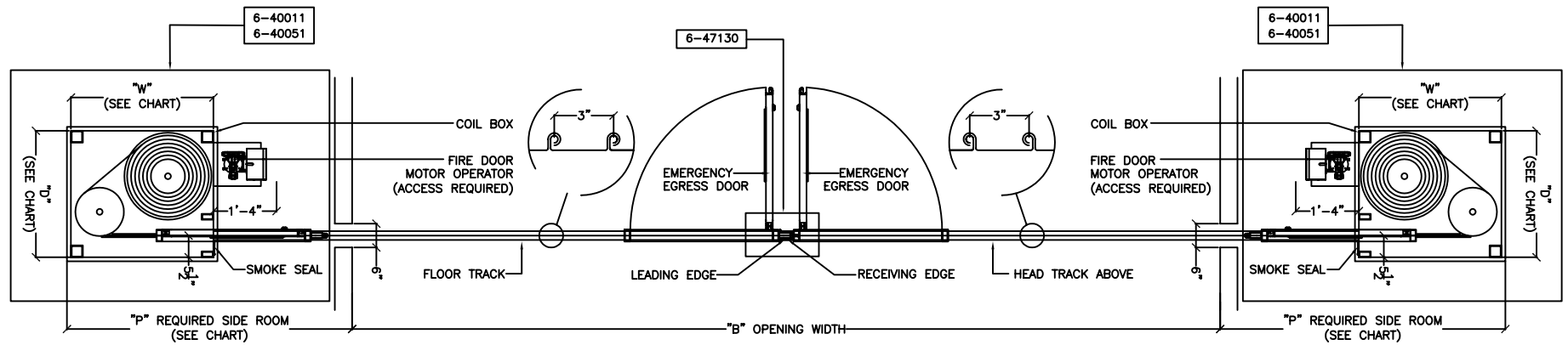


NOTE: EGRESS DOOR MAY SWING
IN OPPOSITE DIRECTION



BI-PARTING SAFESCAPE SIDE COILING FIRE DOOR MODEL S9000

6-30931

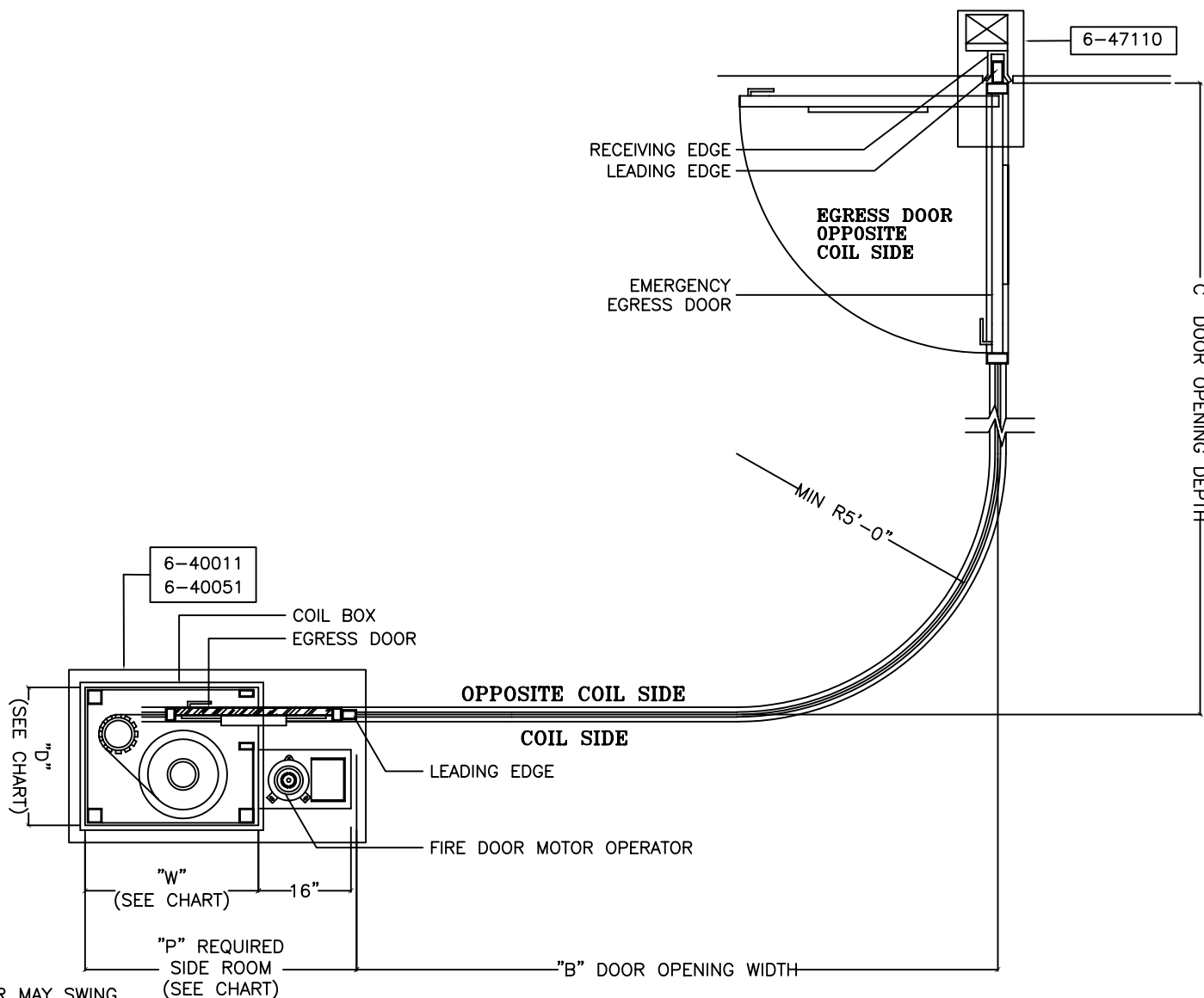


NOTE: EGRESS DOORS MAY SWING IN OPPOSITE AND ALTERNATE DIRECTIONS



SAFESCAPE SIDE COILING FIRE DOOR MODEL S9000

6-30911

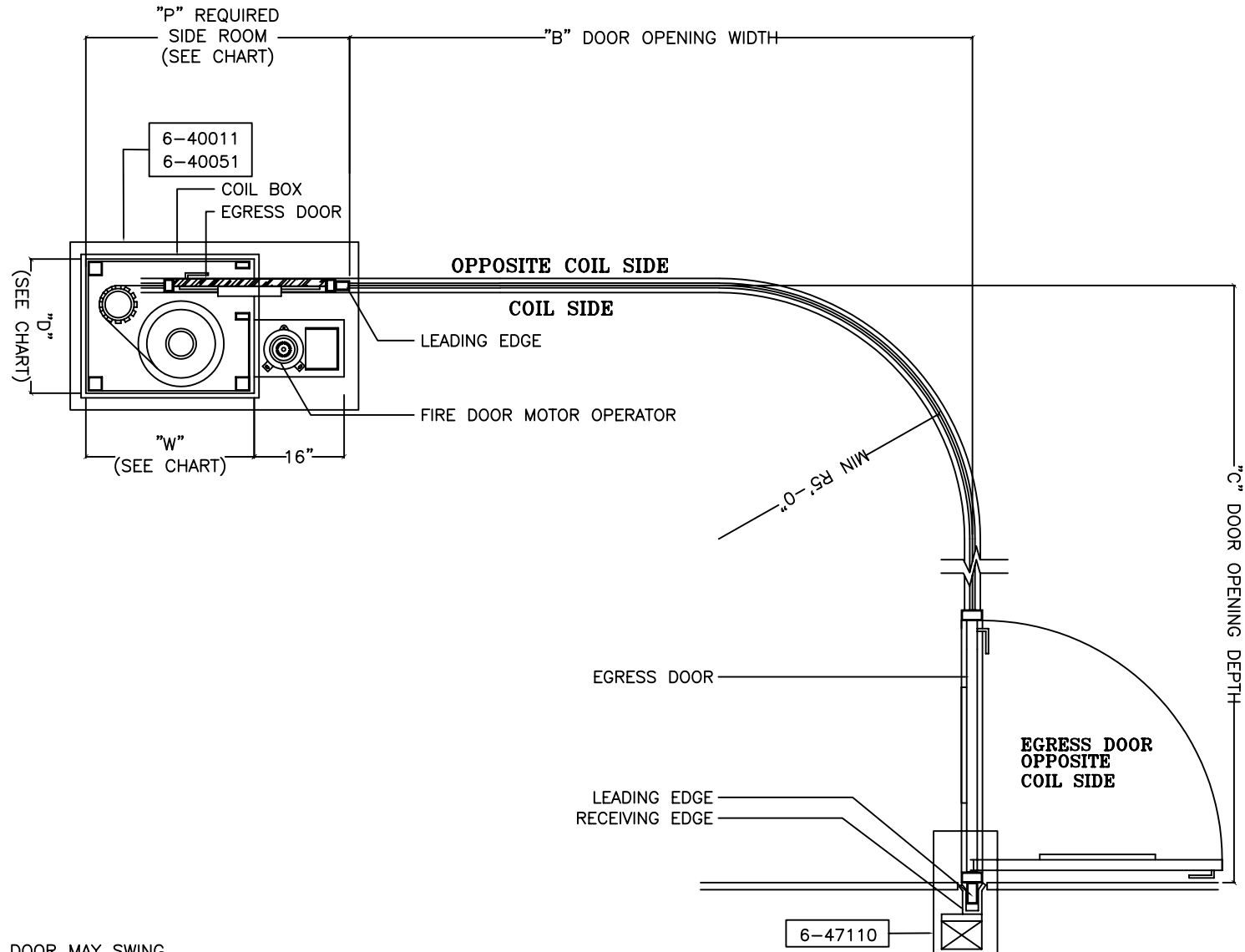


NOTE: EGRESS DOOR MAY SWING IN OPPOSITE DIRECTION



SAFESCAPE SIDE COILING FIRE DOOR MODEL S9000

6-30921



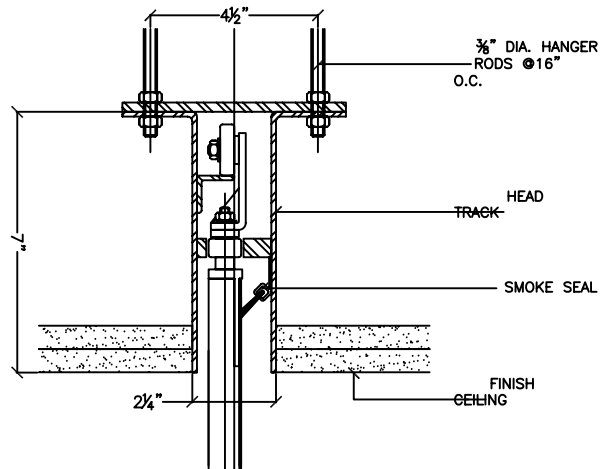
NOTE: EGRESS DOOR MAY SWING IN OPPOSITE DIRECTION



SAFESCAPE SIDE COILING FIRE DOOR MODELS S9000/S9500

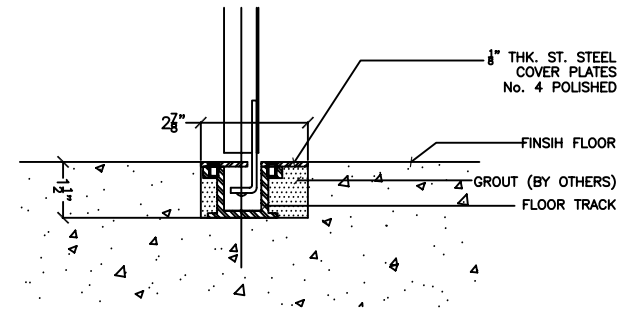
6-44010

6-44020



NOTE:
HEAD TRACK MUST BE
ENCASED IN FIRE RATED
ENCLOSURE (BY OTHERS)

HEAD TRACK



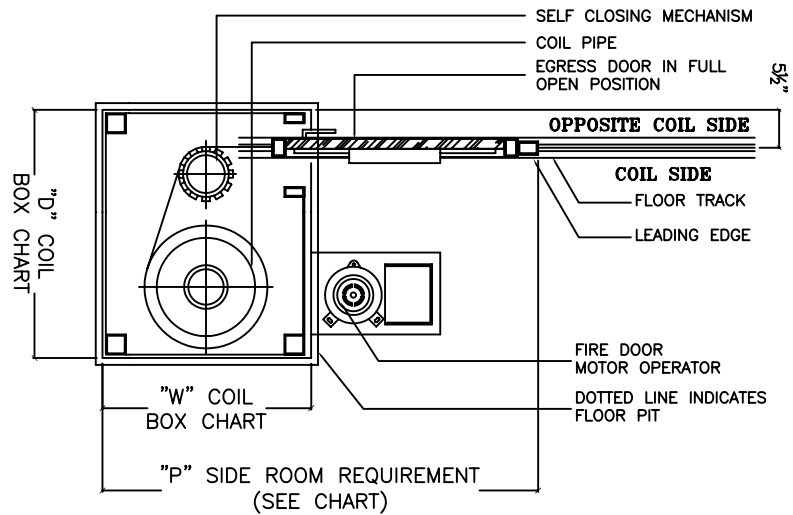
FLOOR TRACK (OPTIONAL)



SAFESCAPE SIDE COILING FIRE DOOR MODEL S9000

NOTE:
FOR ADDITIONAL MOTOR LOCATION
OPTIONS REFER TO COIL BOX
SELECTION CHART

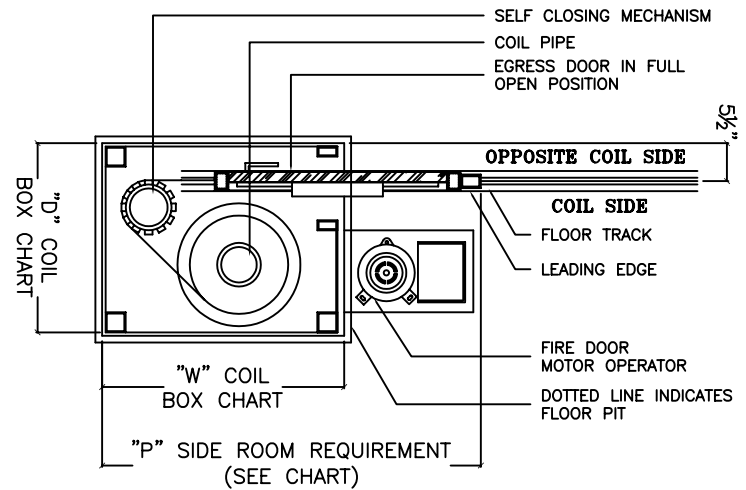
6-45101



COIL BOX TYPE "A"

NOTE:
FOR ADDITIONAL MOTOR LOCATION
OPTIONS REFER TO COIL BOX
SELECTION CHART

6-45102

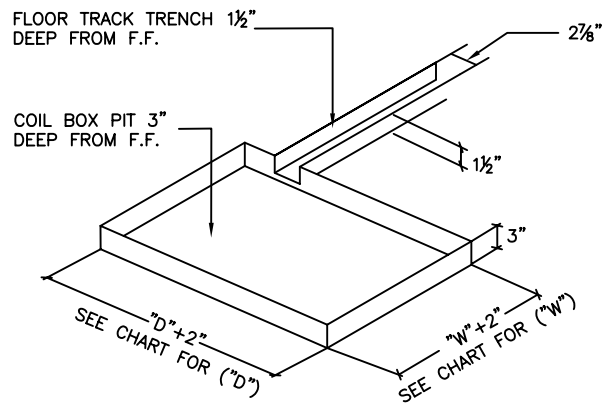


COIL BOX TYPE "B"



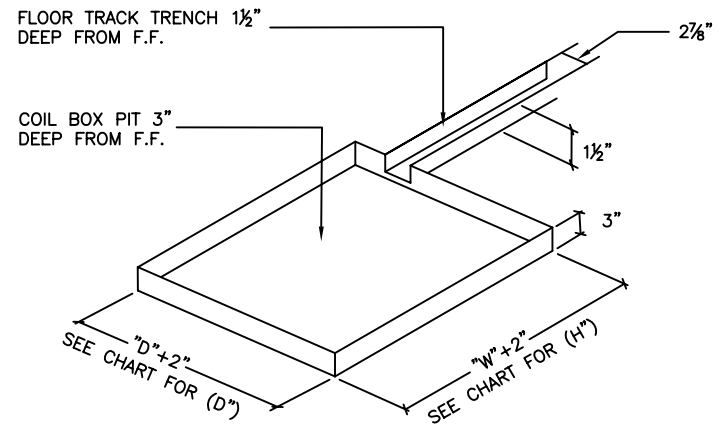
SAFESCAPE SIDE COILING FIRE DOOR MODELS S9000/S9500

6-46101



COIL BOX PIT TYPE "A" - WITH FLOOR TRACK

6-46102



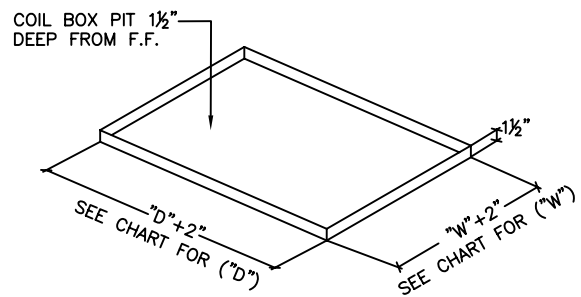
COIL BOX PIT TYPE "B" - WITH FLOOR TRACK



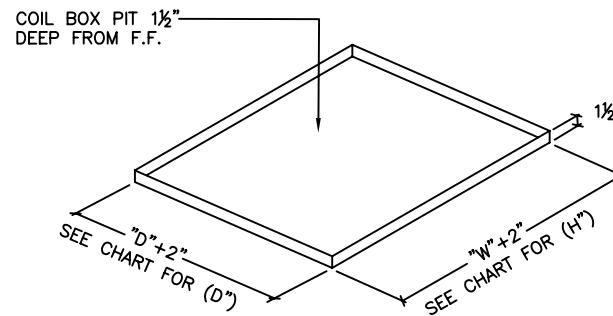
SAFESCAPE SIDE COILING FIRE DOOR MODELS S9000/S9500

6-46111

6-46112



COIL BOX PIT TYPE "A" - WITHOUT FLOOR TRACK

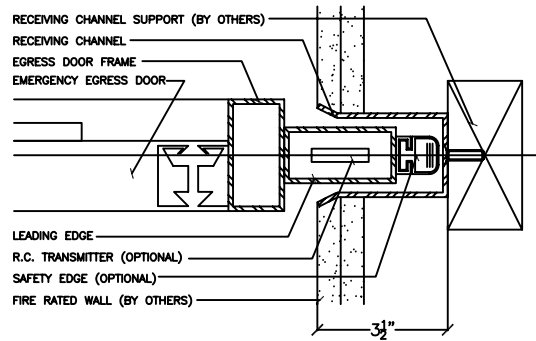


COIL BOX PIT TYPE "B" - WITHOUT FLOOR TRACK



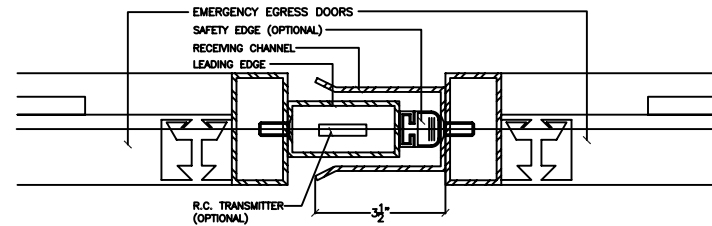
SAFESCAPE SIDE COILING FIRE DOOR MODELS S9000/S9500

6-47110



**LEADING EDGE/RECEIVING EDGE DETAIL
SINGLE PARTING**

6-47130

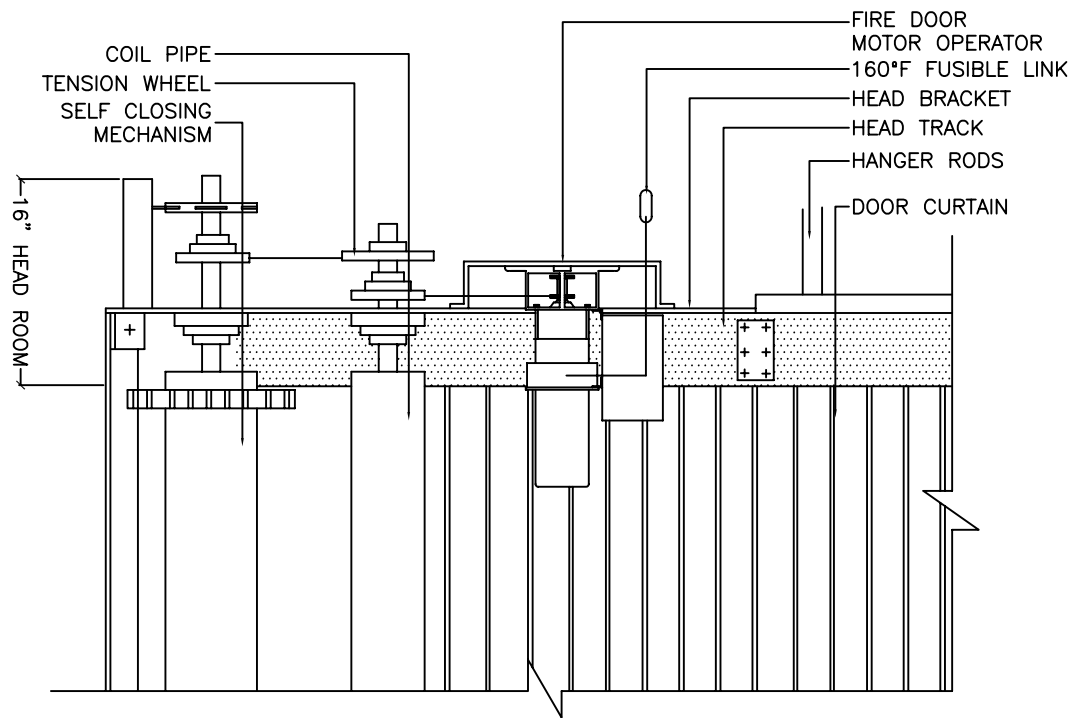


**LEADING EDGE/RECEIVING EDGE DETAIL
BI-PARTING**



SAFESCAPE SIDE COILING FIRE DOOR MODELS S9000/S9500

6-48211



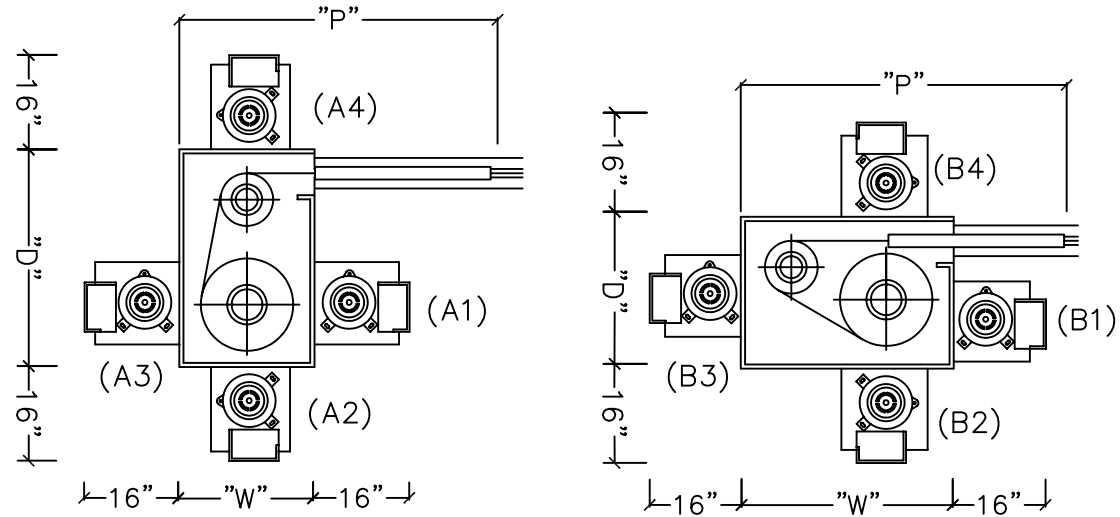
NOTE:

- (A) FUSIBLE LINK IS NOT REQUIRED IF UNIT IS CONNECTED TO HEAT OR SMOKE DETECTOR.
- (B) FOR LOWER HEADROOM REQUIREMENTS, CONSULT FACTORY



SAFESCAPE SIDE COILING FIRE DOOR MODEL S9000

6-50000



DOOR LENGTH		TYPE (A)			TYPE (B)		
FROM	TO	W	D	P	W	D	P
--	14'-0"	18"	34"	60"	30"	27"	60"
14'-1"	28'-0"	25"	48"	67"	46"	35"	69"
28'-1"	44'-0"	30"	58"	72"	56"	40"	71"

NOTE:
 FOR DOORS WIDER THAN 44'-0",
 CONSULT FACTORY FOR SIZES.